

# A-103+ A-105+ A-109

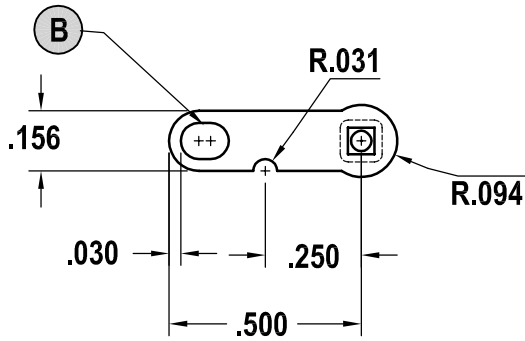


## Terminal

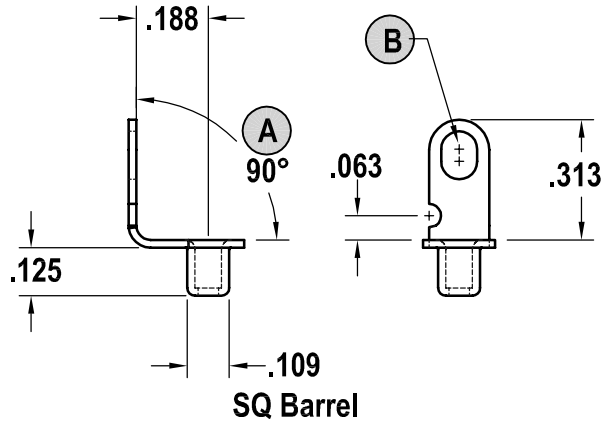
Terminal



**OPTION 1**  
Flat



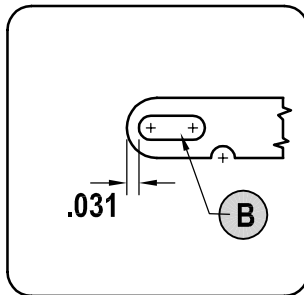
**OPTION 2**  
90°



## A-103 + A-105

### A-109

SLOT (B)



SCALE: 2:1

PART NUMBER	MATERIAL		OPTION	∠ Angle	Slot
	BRASS	STEEL		(A)	(B)
A-103	.020	.020	1	Flat	.094 X .125
A-105	.023	.023	2	90°	.094 X .125
A-109	.023	.023	1	Flat	.062 x .172
			2	90°	.062 x .172