

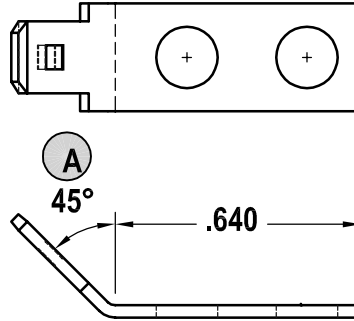
A-117+A-119

Terminal

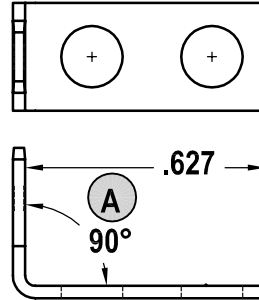
Terminal



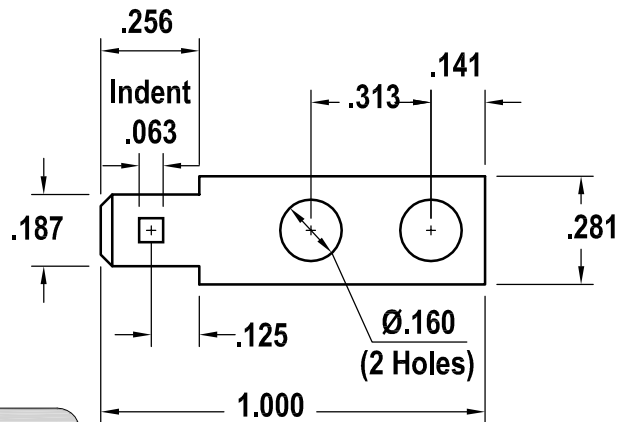
OPTION 1
45°



OPTION 2
90°



OPTION 3
Flat

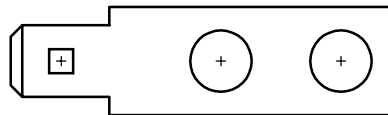


A-117

A-119



OPTION 1
Flat



SCALE: 2:1

PART NUMBER	MATERIAL		OPTION	∠ Angle
	BRASS	STEEL		A
A-117	.020	.020	1	45°
			2	90°
			3	Flat
A-119	.030	.030	1	Flat