

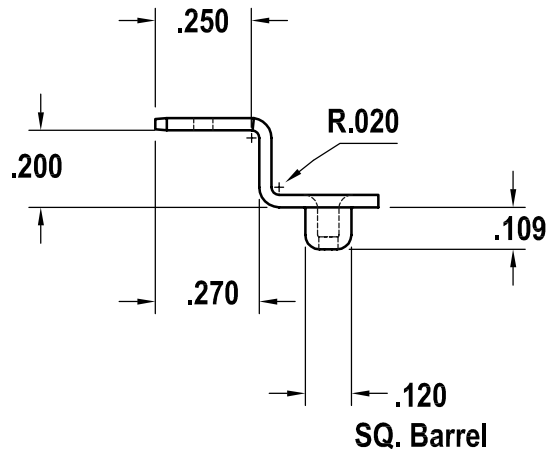
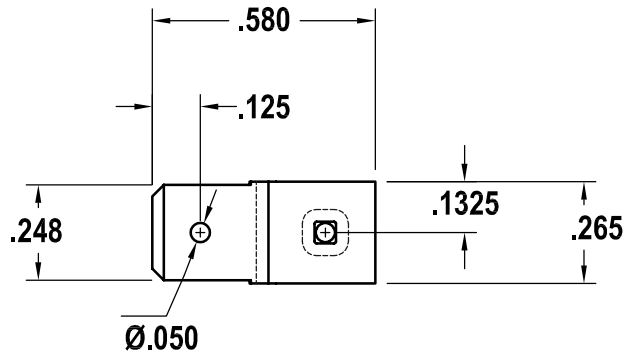


Amity Die & Stamping Co.



L153
Terminal

Terminal



SCALE: 2:1

PART NUMBER	MATERIAL
L153	BRASS .032