



Amity Die & Stamping Co.

SH-L187+R250

Terminal

Terminal



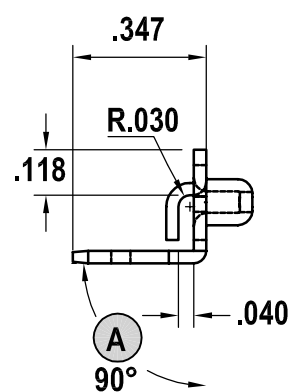
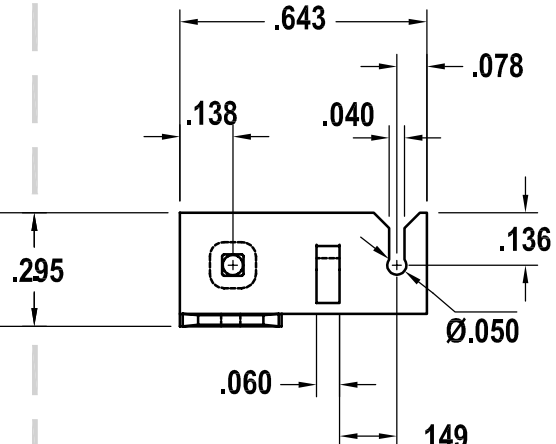
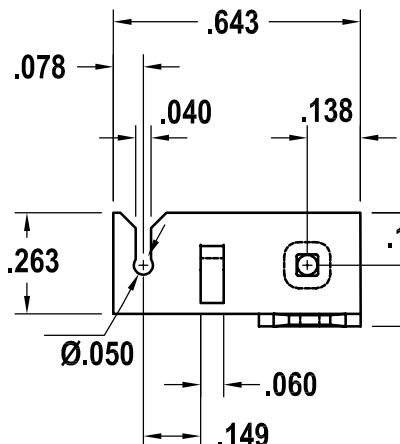
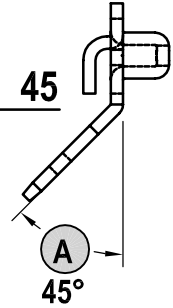
SH-L187



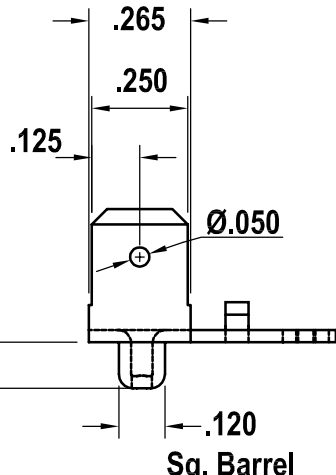
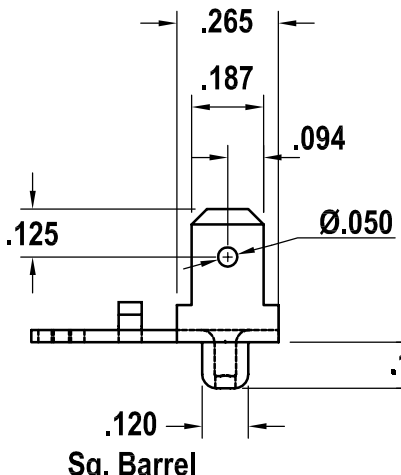
SH-R250

OPTION 90
shown

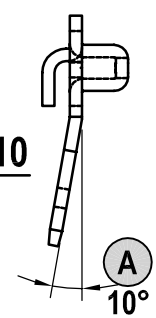
OPTION 45
45°



OPTION 90
90°



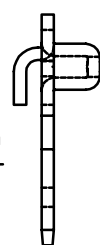
OPTION 10
10°



SCALE: 2:1

PART NUMBER	MATERIAL BRASS	OPTION	∠ Angle A
SH-L187	.032	0	0°
		10	10°
SH-R250	.032	45	45°
		90	90°

OPTION 0
0°



NOTE: PARTS MUST BE ORDERED IN SETS