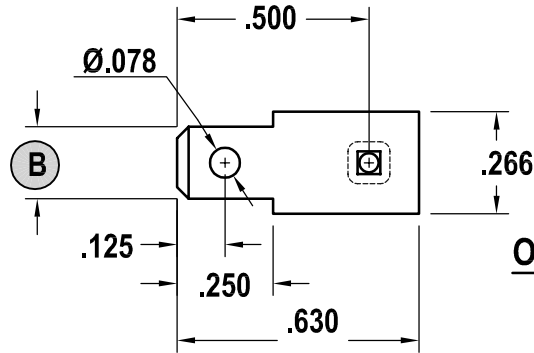
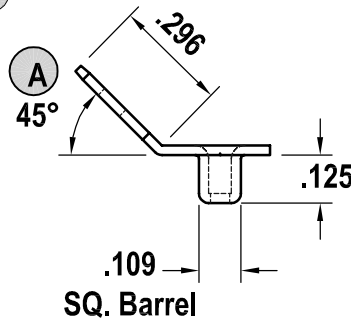


Terminal



WITH BARREL - as shown

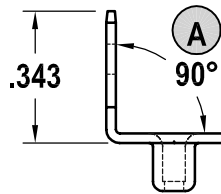
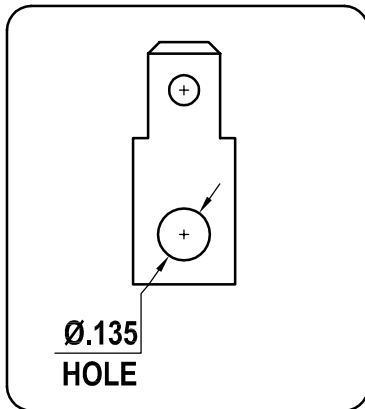
OPTION 1
Flat



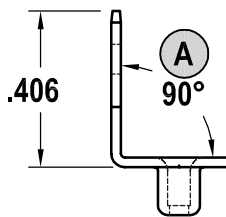
OPTION 2
 45°



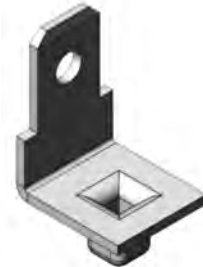
NO BARREL



OPTION 3
 90° - short



OPTION 4
 90° - long



SCALE: 2:1

PART NUMBER	MATERIAL BRASS	OPTION	Angle A	Length	SPADE B
1065	.018	1	Flat		.187
		2	45°		.187
		3	90°	(.343)	.187
		4	90°	(.406)	.187
1066	.018	1	Flat		.205
		2	45°		.205
		3	90°	(.343)	.205
		4	90°	(.406)	.205