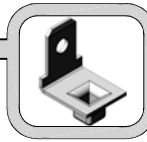




Amity Die & Stamping Co.



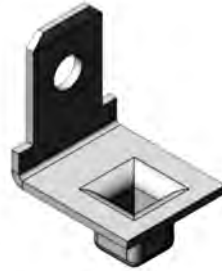
1095

Terminal

Terminal



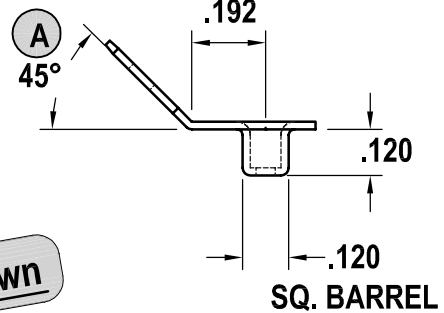
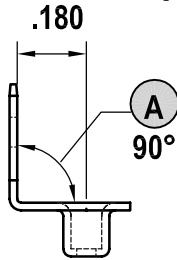
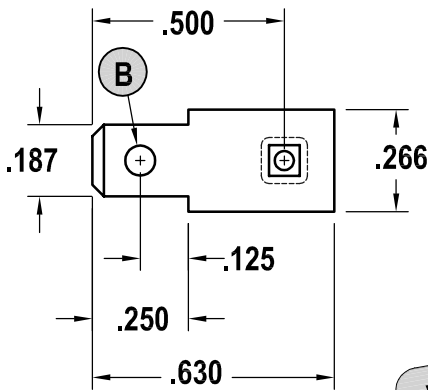
OPTION 1+2
Flat



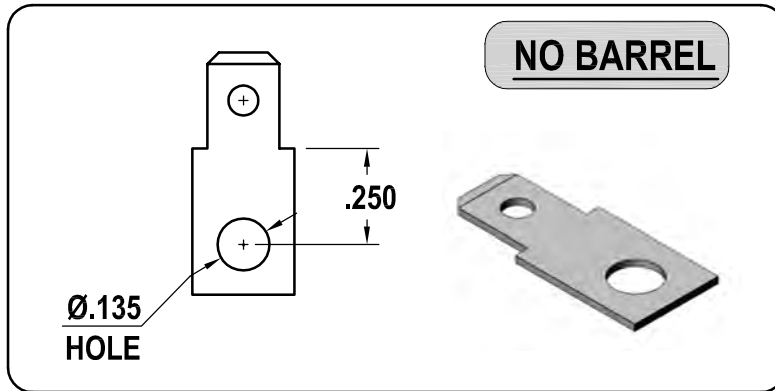
OPTION 3+4
90°



OPTION 5+6
45°



WITH BARREL - as shown



SCALE: 2:1

PART NUMBER	MATERIAL BRASS	OPTION	Angle (A)	DIA. (B)
1095	.020	1	Flat	.078
		2	Flat	.050
		3	90°	.078
		4	90°	.050
		5	45°	.078
		6	45°	.050