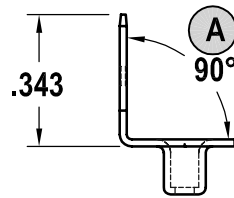
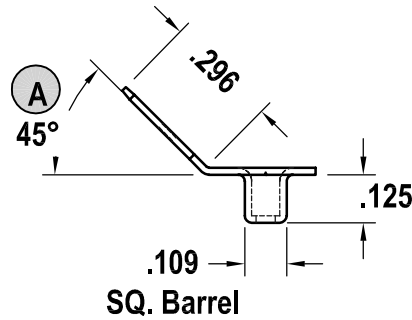


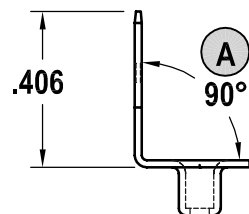
OPTION 1
Flat



OPTION 2
90° - short



OPTION 3
45°



OPTION 4
90° - long



SCALE: 2:1

PART NUMBER	MATERIAL BRASS	OPTION	∠ Angle (A)	LENGTH
1150	.018	1	Flat	
		2	90°	.343
		3	45°	
		4	90°	.406