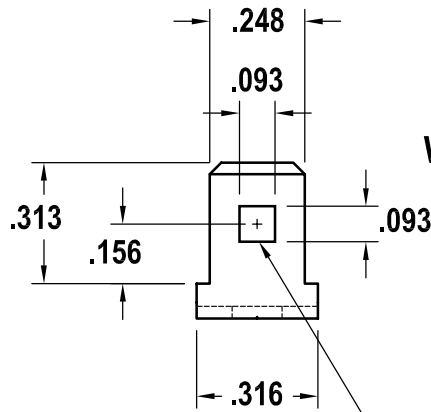


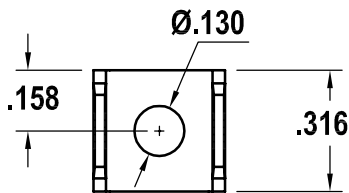
Terminal



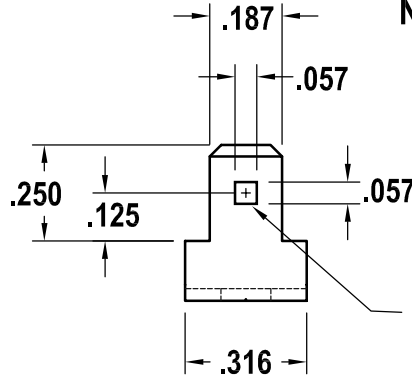
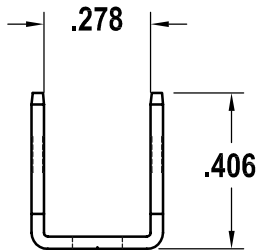
OPTION 1
Wider Spade



(A)
INDENT .003
4 PLACES



OPTION 2
Narrow Spade



(B)
INDENT .003
4 PLACES

SCALE: 2:1

PART NUMBER	MATERIAL		OPTION	SPADE TYPE
	BRASS	STEEL		
1205	.032	.032	1	A
			2	B