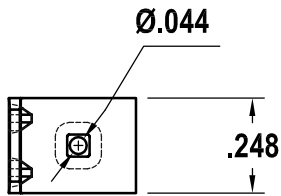
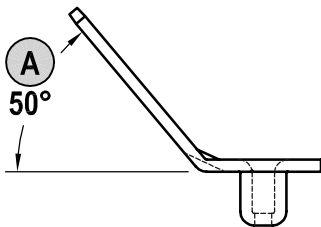
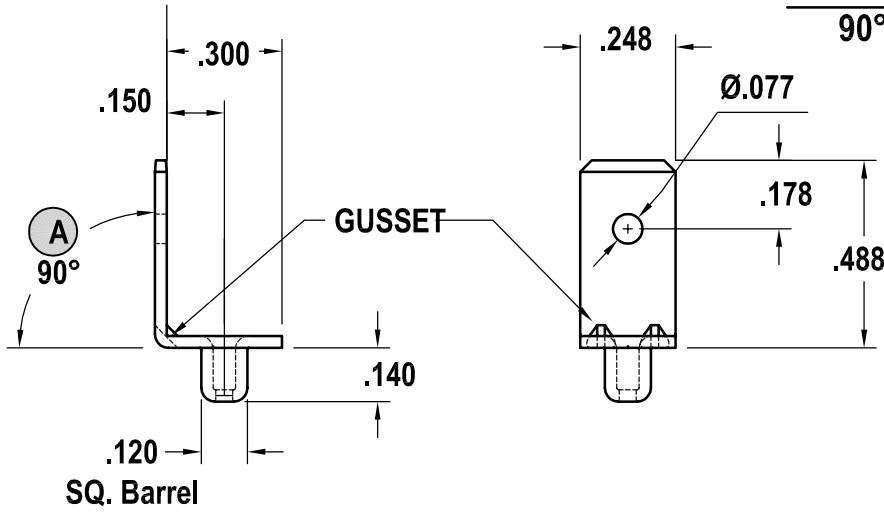


OPTION 1
Flat



OPTION 2
90°



OPTION 3
50°



SCALE: 2:1

PART NUMBER	MATERIAL BRASS	OPTION	Angle (A)
1215	.032	1	Flat
		2	90°
		3	50°